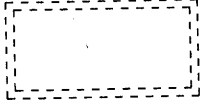
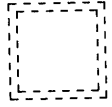
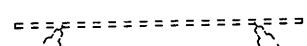
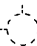
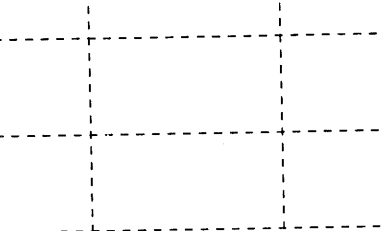
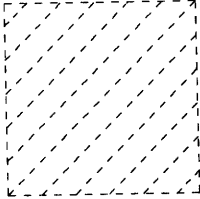
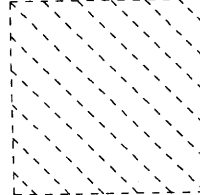


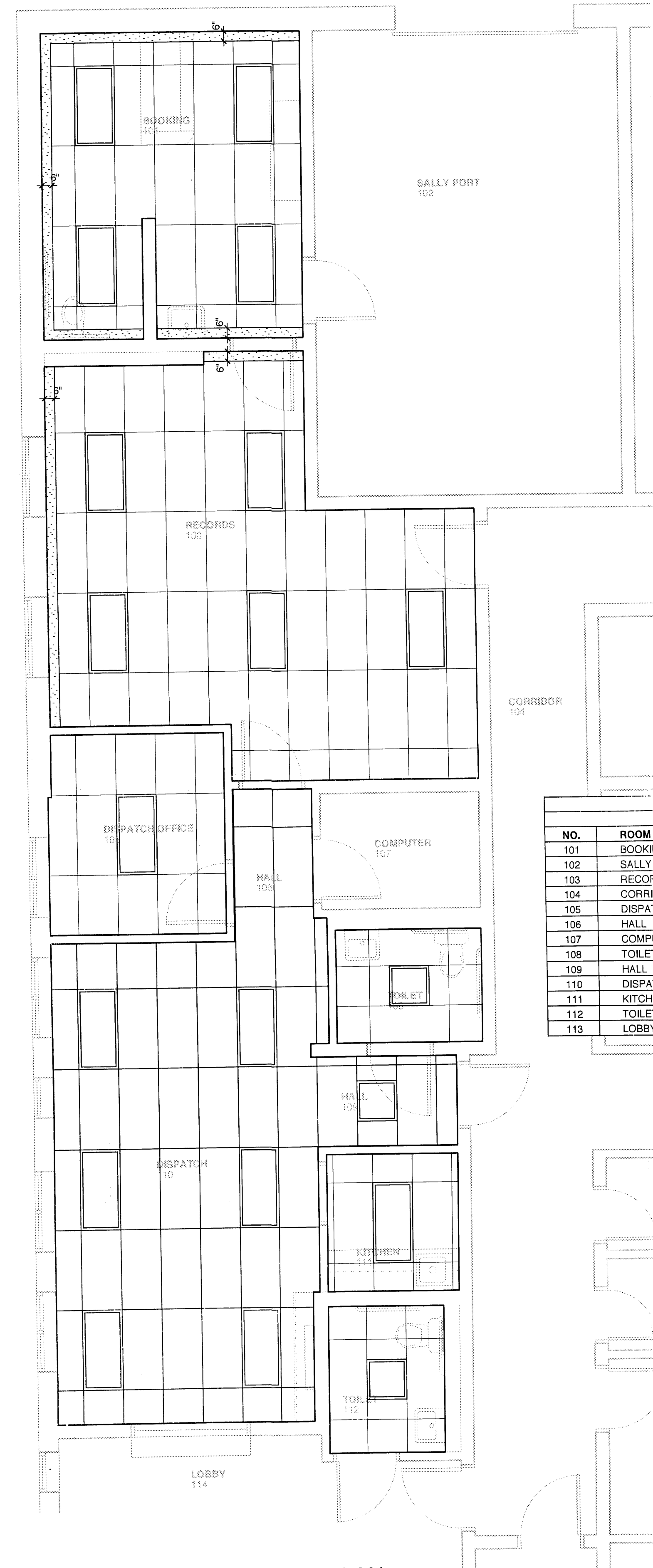
CEILING DEMO PLAN LEGEND

-  2 X 4 FLUORESCENT TROFFER
-  2 X 2 FLUORESCENT TROFFER
-  TRACK LIGHTING
-  SURFACE MOUNTED FIXTURE
-  2 X 4 GRID
-  CONCRETE SLAB
-  GWB CEILING


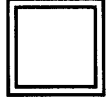
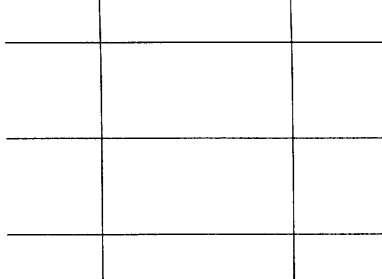
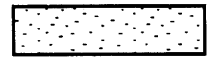
REFLECTED CEILING PLAN GENERAL NOTES

- A. HVAC ELEMENTS NOT SHOWN. REMOVAL OR RELOCATION OF DIFFUSERS, GRILLES, AND OTHER ELEMENTS TO BE DETERMINED BY HVAC CONTRACTOR.
- B. SPRINKLER HEADS NOT SHOWN. REMOVAL OR RELOCATION OF SPRINKLER HEADS TO BE DETERMINED BY SPRINKLER CONTRACTOR.
- C. SEE STRUCTURAL DRAWINGS FOR ADDITIONAL INFORMATION ON REMOVAL OF CONCRETE CEILING SLAB.

1 CEILING DEMOLITION PLAN
SCALE: 1/4" = 1'-0"
1' 2' 4' 8'



REFLECTED CEILING PLAN LEGEND

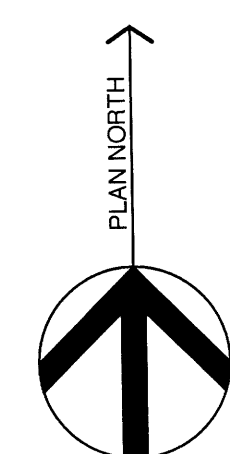
-  2 X 4 FLUORESCENT TROFFER
-  2 X 2 FLUORESCENT TROFFER
-  2 X 4 GRID
-  GWB SOFFIT

REFLECTED CEILING PLAN GENERAL NOTES

- A. HVAC ELEMENTS NOT SHOWN. LAYOUT OF DIFFUSERS, GRILLES, AND OTHER ELEMENTS TO BE BY HVAC CONTRACTOR.
- B. SPRINKLER HEADS NOT SHOWN. SPRINKLER LAYOUT TO BE BY SPRINKLER CONTRACTOR.

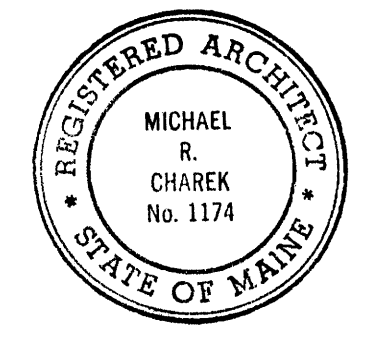
CEILING SCHEDULE			
NO.	ROOM NAME	CEILING HEIGHT	NOTES
101	BOOKING	9'-0"	GWB SOFFIT HEIGHT 7'-9" AT NORTH, WEST, SOUTH SIDES
102	SALLY PORT	EXIST	
103	RECORDS	9'-0"	GWB SOFFIT HEIGHT 7'-9" AT NORTH, WEST SIDES
104	CORRIDOR	EXIST	
105	DISPATCH OFFICE	9'-0"	
106	HALL	9'-0"	
107	COMPUTER	9'-0"	
108	TOILET	8'-0"	
109	HALL	9'-0"	
110	DISPATCH	9'-0"	
111	KITCHEN	8'-0"	
112	TOILET	8'-0"	
113	LOBBY	EXIST	

2 REFLECTED CEILING PLAN
SCALE: 1/4" = 1'-0"
1' 2' 4' 8'



Michael Charek Architects

25 Hartley Street
Portland, Maine 04103
(207) 761-0556



Windham Public Safety Dispatch Area Renovations

375 Gray Rd
Windham, ME

Title

CEILING DEMOLITION PLAN & REFLECTED CEILING PLAN

Scale: 1/4" = 1'-0"

Date: 10/27/08

Revisions

ISSUED FOR PRICING

Sheet

A2