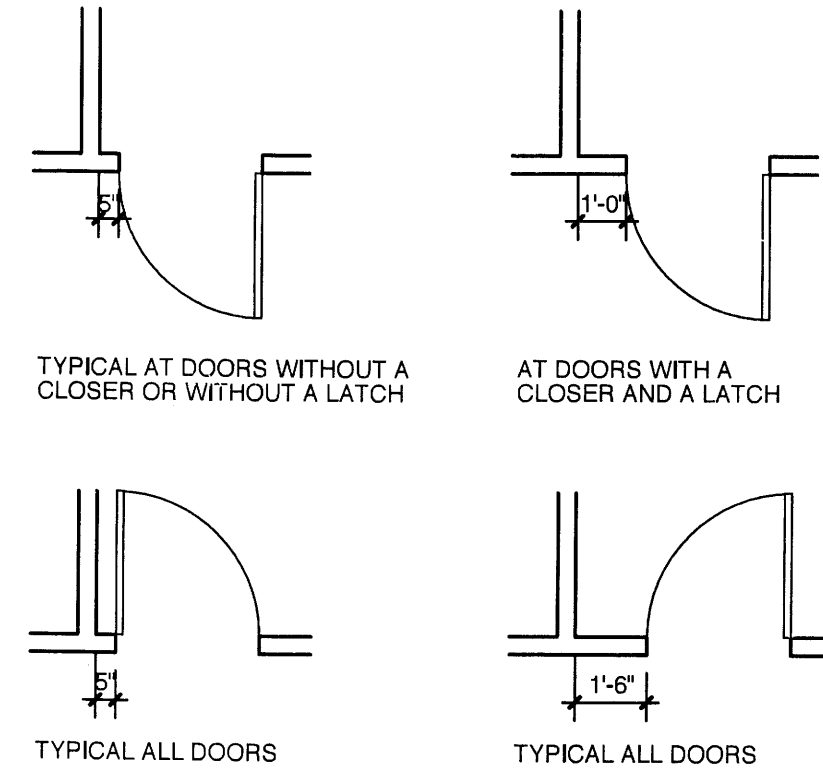
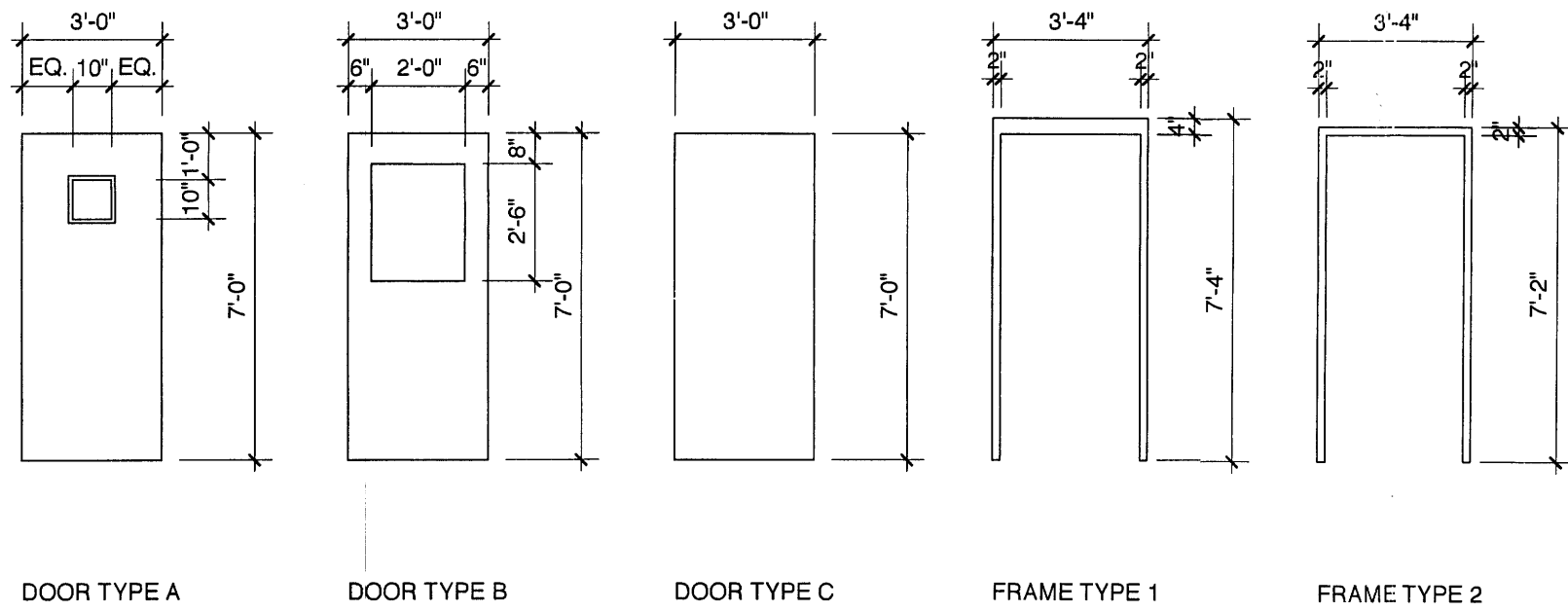


| DOOR SCHEDULE | | | | | | | | | | | | | | | |
|---------------|------|-------|------|-------|--------|--------|------|------|------|-------|------|------|------|-------|--------|
| NO. | DOOR | | | FRAME | | | FIRE | | | NOTES | | | | | |
| | TYPE | MAT. | FIN. | WIDTH | HEIGHT | THICK. | TYPE | MAT. | FIN. | | HEAD | JAMB | SILL | HDWR. | RATING |
| 101 | A | HM | PT | 3'-0" | 7'-0" | 1 3/4" | 1 | HM | PT | | | | HW-1 | | 2, 3 |
| 102 | A | HM | PT | 3'-0" | 7'-0" | 1 3/4" | 1 | HM | PT | | | | HW-1 | | 2, 3 |
| 103 | B | WD-SC | NAT | 3'-0" | 7'-0" | 1 3/4" | 2 | HM | PT | | | | HW-2 | | 4 |
| 105 | B | WD-SC | NAT | 3'-0" | 7'-0" | 1 3/4" | 2 | HM | PT | | | | HW-3 | | 4 |
| 108 | C | WD-SC | NAT | 3'-0" | 7'-0" | 1 3/4" | 2 | HM | PT | | | | HW-4 | | 4 |
| 111 | -- | -- | -- | 3'-0" | 7'-0" | 1 3/4" | 2 | HM | PT | | | | -- | | 4, 5 |

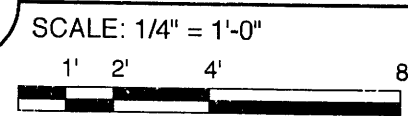
MATERIAL/FINISH ABBREVIATIONS
 HM HOLLOW METAL
 NAT NATURAL FINISH
 PT PAINT
 SC SOLID CORE
 WD WOOD

- NOTES**
 1. DOORS NOT SCHEDULED ARE EXISTING TO REMAIN
 2. SECURITY DOOR. HARDWARE INTERLOCK WITH BUILDING LOCKING SYSTEM.
 3. WELDED FRAME WITH MASONRY ANCHORS. FACE OF FRAME FLUSH WITH WALL SURFACES.
 4. DRYWALL FRAME.
 5. CASSED OPENING WITH HM FRAME.

- HARDWARE**
 HW-1 3 HINGES
 2 PULLS
 1 LOCK CYLINDER, 2 SIDED
 1 KICK PLATE
 1 CLOSER
 HW-2 3 HINGES
 1 PASSAGE SET
 HW-3 3 HINGES
 1 LOCKSET
 HW-4 3 HINGES
 1 PRIVACY SET

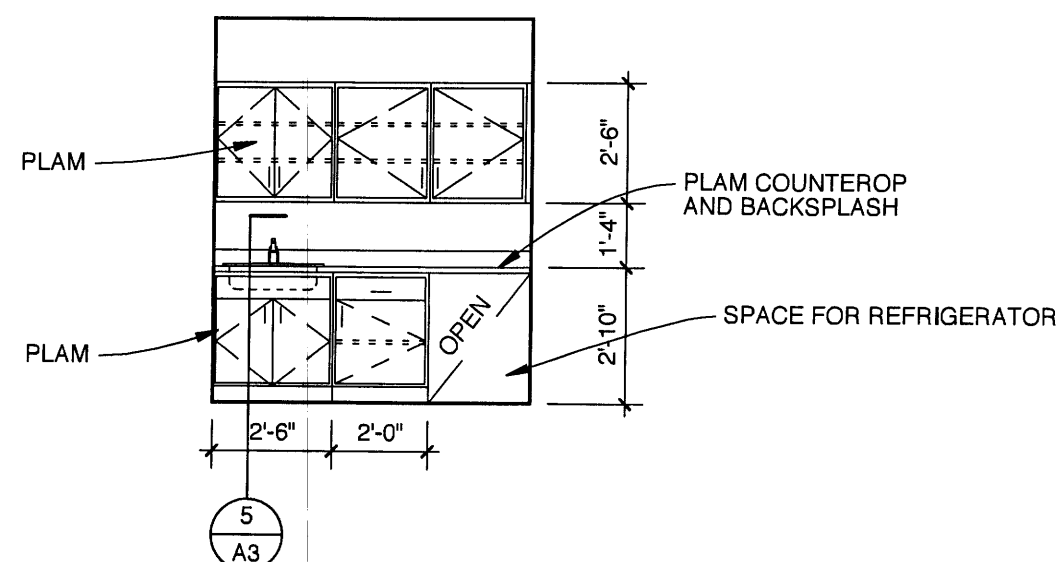


4 TYPICAL DOOR JAMB CLEARANCES

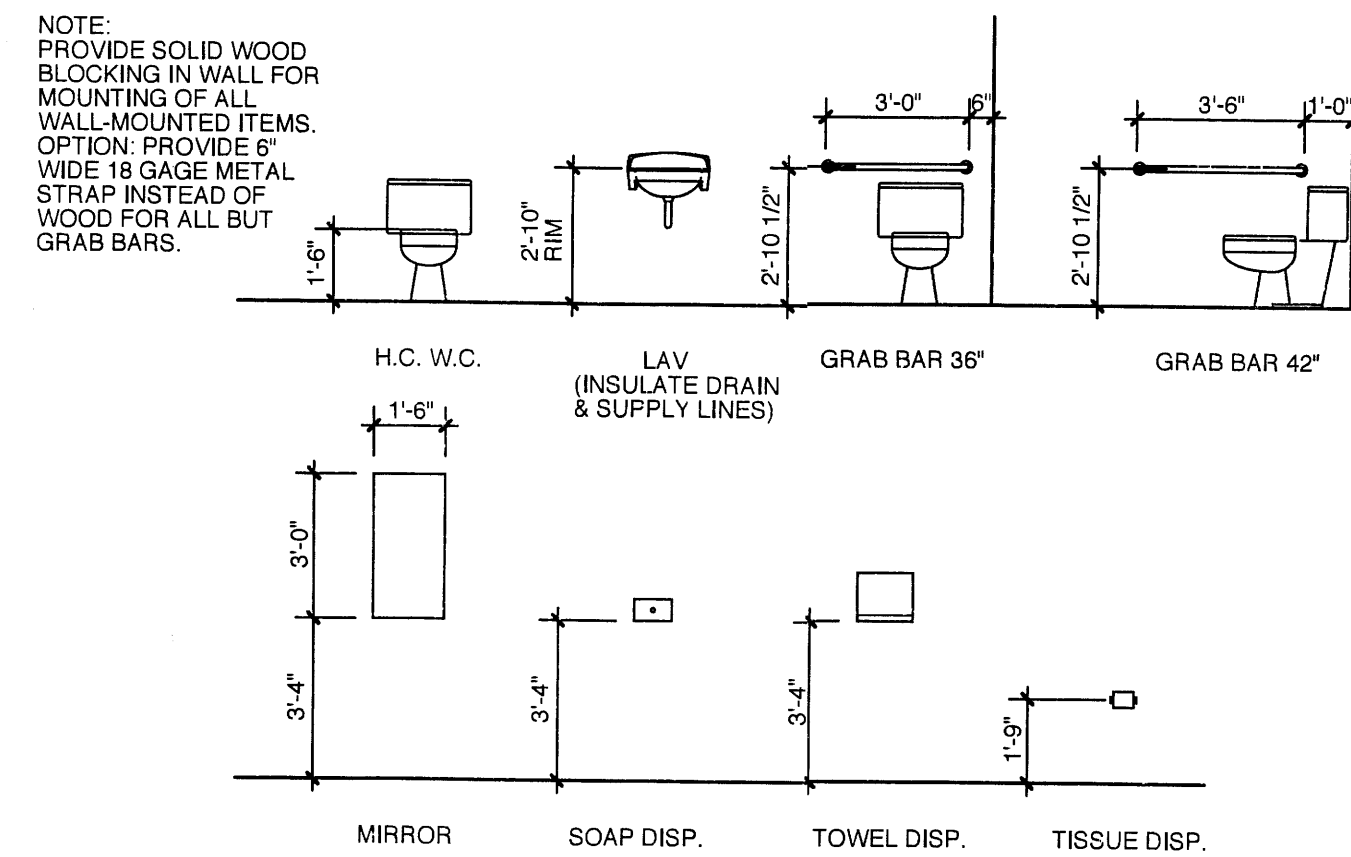
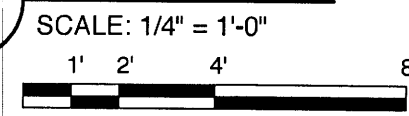


| NO. | ROOM NAME | FLOORS | WALLS | | | | NOTES |
|-----|-----------------|----------|----------|-----|-----|-----|--|
| | | | BASE | N | E | S | |
| 101 | BOOKING | VCT | VB | PT | PT | PT | |
| 102 | SALLY PORT | EXG | EXG | EXG | EXG | EXG | PAINT WALLS AT AREAS OF MASONRY WORK |
| 103 | RECORDS | CPT | VB | PT | PT | PT | |
| 104 | CORRIDOR | EXG | EXG | EXG | EXG | EXG | PAINT WALLS AT AREAS OF MASONRY WORK |
| 105 | DISPATCH OFFICE | CPT | VB | PT | PT | PT | |
| 106 | HALL | CPT | VB | PT | PT | PT | |
| 107 | COMPUTER | EXG | EXG | EXG | EXG | EXG | |
| 108 | TOILET | VCT | VB | PT | PT | PT | |
| 109 | HALL | CPT | VB | PT | PT | PT | |
| 110 | DISPATCH | CPT | VB | PT | PT | PT | |
| 111 | KITCHEN | VCT | VB | PT | PT | PT | |
| 112 | TOILET | EXG / QT | EXG / QT | PT | PT | PT | EXTEND EXISTING QUARRY TILE FLOORING AND BASE ONTO NEW FLOOR & WALLS |
| 113 | LOBBY | EXG | EXG | EXG | EXG | EXG | |

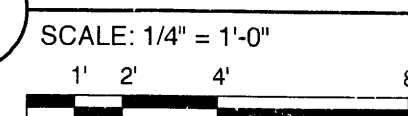
| ROOM FINISH KEY | |
|-----------------|---------------------------|
| EXG | EXISTING FINISH TO REMAIN |
| CPT | CARPET TILE |
| PT | PAINT |
| QT | QUARRY TILE |
| VB | VINYL BASE |
| VCT | VINYL COMPOSITION TILE |



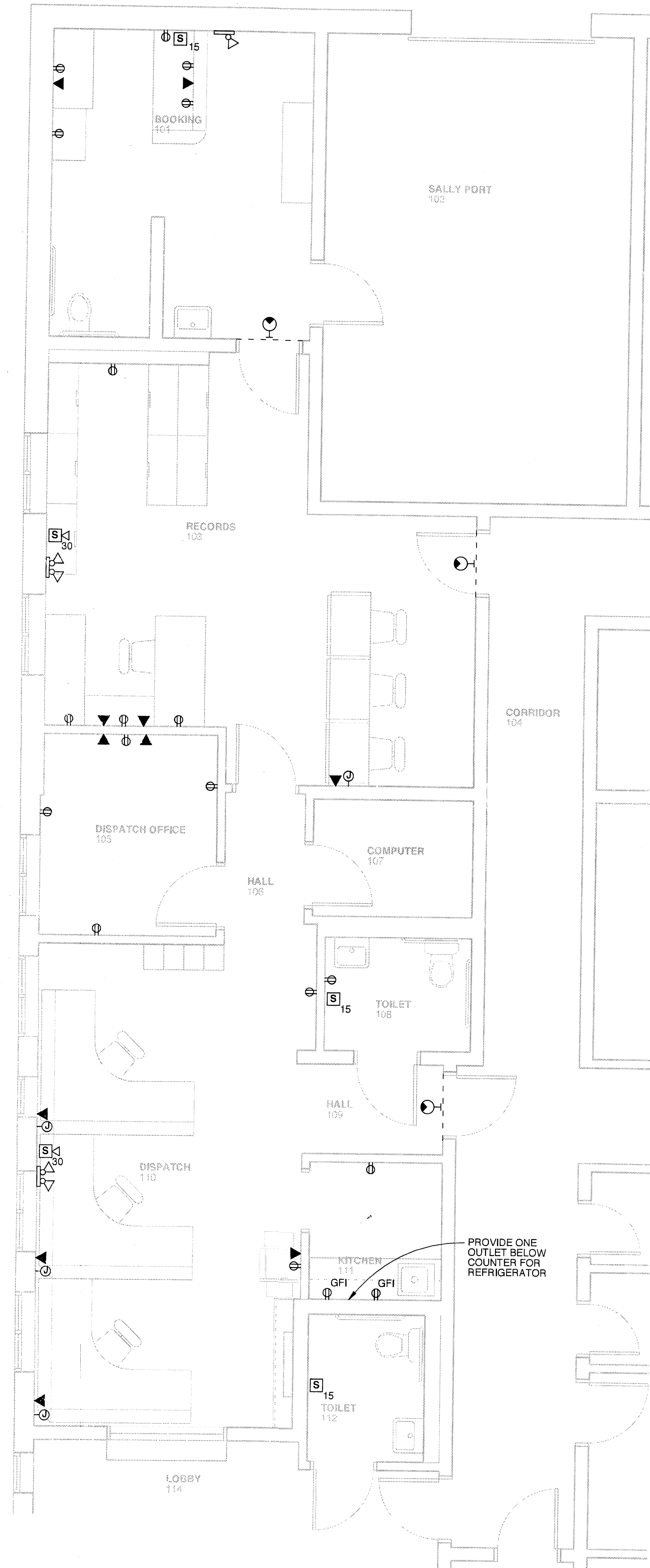
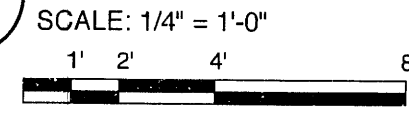
3 ELEVATION



2 TOILET FIXTURE MOUNTING HEIGHTS



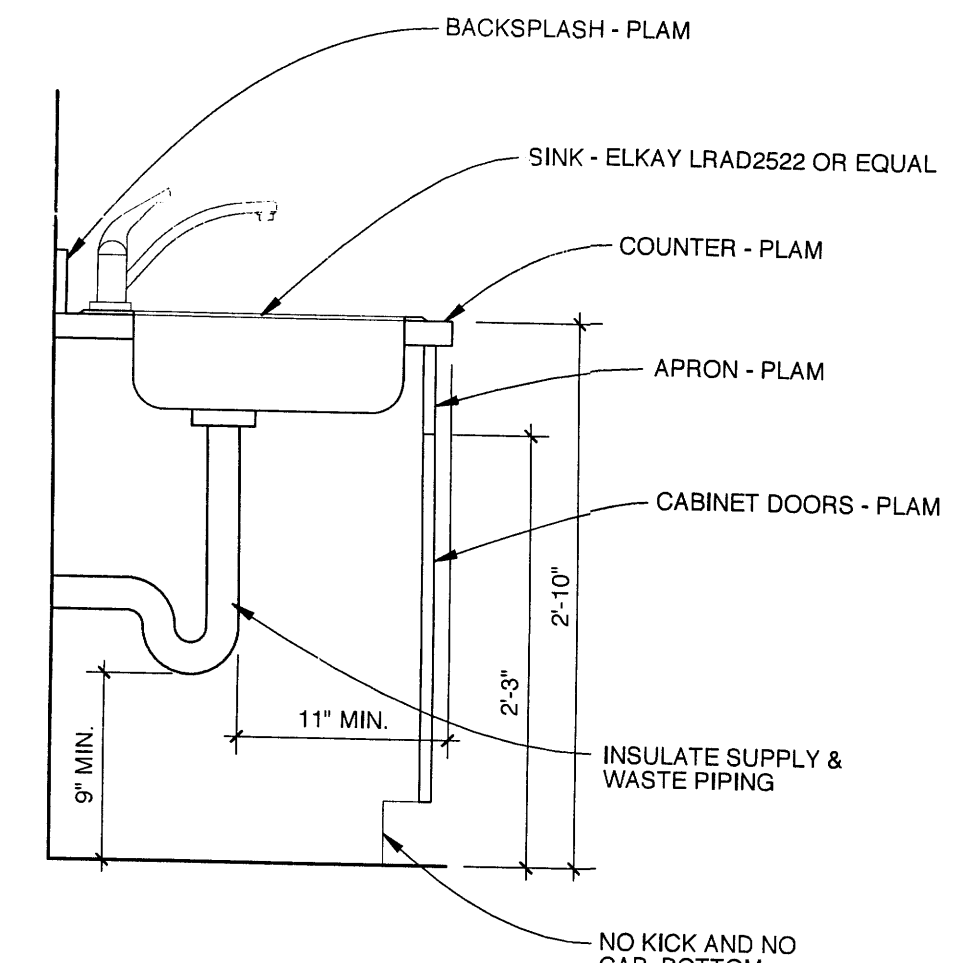
1 LIFE SAFETY PLAN



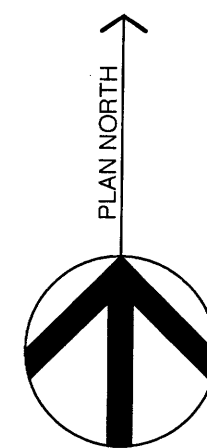
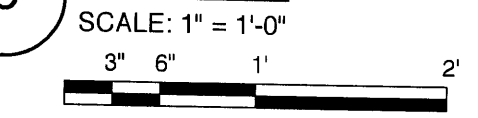
- LIFE SAFETY, POWER, AND SIGNAL PLAN LEGEND**
- EMERGENCY LIGHT SINGLE HEAD
 - EMERGENCY LIGHT DOUBLE HEAD
 - EXIT SIGN
 - HORN STROBE - NUMBER INDICATES CANDELA RATING
 - STROBE - NUMBER INDICATES CANDELA RATING
 - DUPLEX OUTLET
 - DUPLEX OUTLET GROUND FAULT INTERRUPT
 - JUNCTION BOX FOR POWER WHIP
 - JUNCTION BOX WITH CONDUIT & PULL STRING FOR TEL/DATA CONNECTION

LIFE SAFETY, POWER, AND SIGNAL PLAN GENERAL NOTES

- FIXTURES ARE SHOWN IN REQUIRED LOCATIONS. EXISTING FIXTURES MAY BE LEFT IN SERVICE IF WITHIN REASONABLE DISTANCE OF FIXTURE AS SHOWN.
- ELECTRICAL AND TEL/DATA OUTLET TYPICAL MOUNTING HEIGHT 18" AFF.

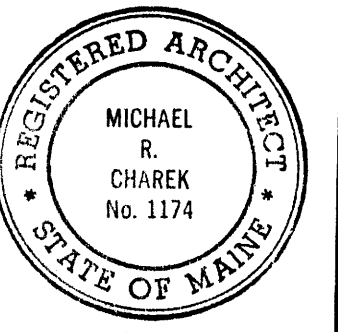


5 DETAIL



Michael Charek Architects

25 Hartley Street
 Portland, Maine 04103
 (207) 761-0556



Windham Public Safety Dispatch Area Renovations

375 Gray Rd.
 Windham, ME 05092

Title

LIFE SAFETY PLAN, DOOR & FINISH SCHEDULES

Scale: 1/4" = 1'-0"

Date: 10/27/08

Revisions

ISSUED FOR PRICING

Sheet

A3