

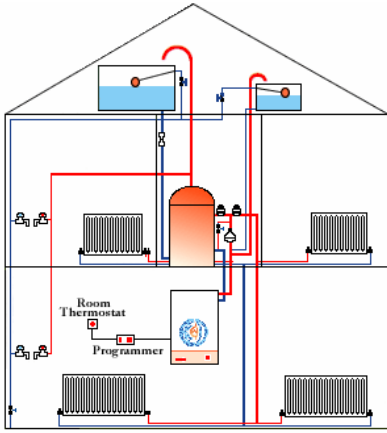
# Town of Windham

Department of Code Enforcement  
8 School Road  
Windham, ME 04062

Voice (207)894-5960 Ext. 1  
Fax (207)892-1916

Permits can be emailed to: [permits@windhammaine.us](mailto:permits@windhammaine.us)

## Mechanical Systems Permit Application



1. Please provide manufacturer installation information at the time of inspection.
2. If you have questions regarding the application please contact the Department of Code Enforcement.

<b>Project Address:</b>	
<b>Parcel ID#:</b>	
<b>Type of System:</b>	
<b>Total BTU:</b>	
<b>Estimated Cost:</b>	
<b>Heat Pumps: How many outside condensers are there?</b>	
<b>Describe Project:</b>	

### Property Owner Information

<b>Owner Name:</b>	
<b>Phone Number:</b>	
<b>Mailing Address:</b>	
<b>Email Address:</b>	

### Contractor Information

<b>Contractor/Business Name:</b>	
<b>Mailing Address:</b>	
<b>Phone Number:</b>	
<b>Email Address:</b>	
<b>License #:</b>	

*I hereby certify that I am the Owner of Record of the named property, or that the owner of record authorizes the proposed work, and I have been authorized by the owner to make this application as his/ her authorized agent. I agree to conform to all applicable laws of this jurisdiction. In addition, if a permit for work described in this application is issued, I certify that the Code Official shall have the authority to enter all areas covered by this permit at any reasonable hour to enforce the provisions of the codes applicable to this permit.*

**Applicant Signature:** \_\_\_\_\_

**Date:** \_\_\_\_\_